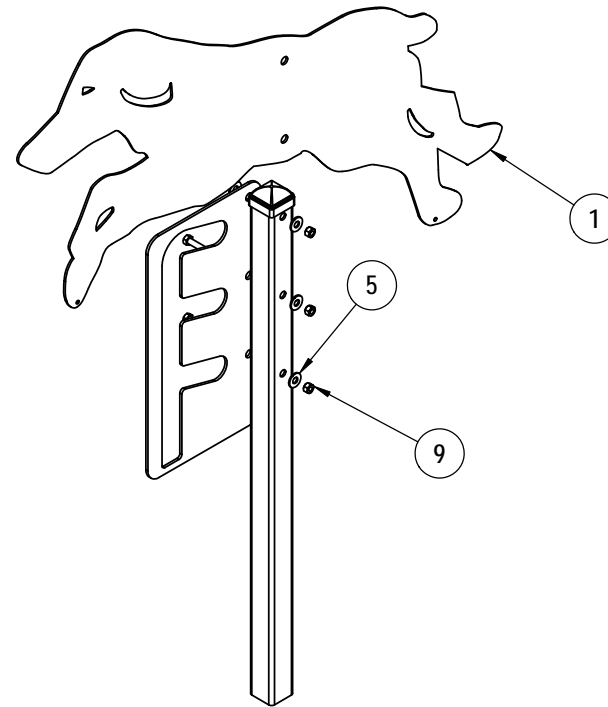
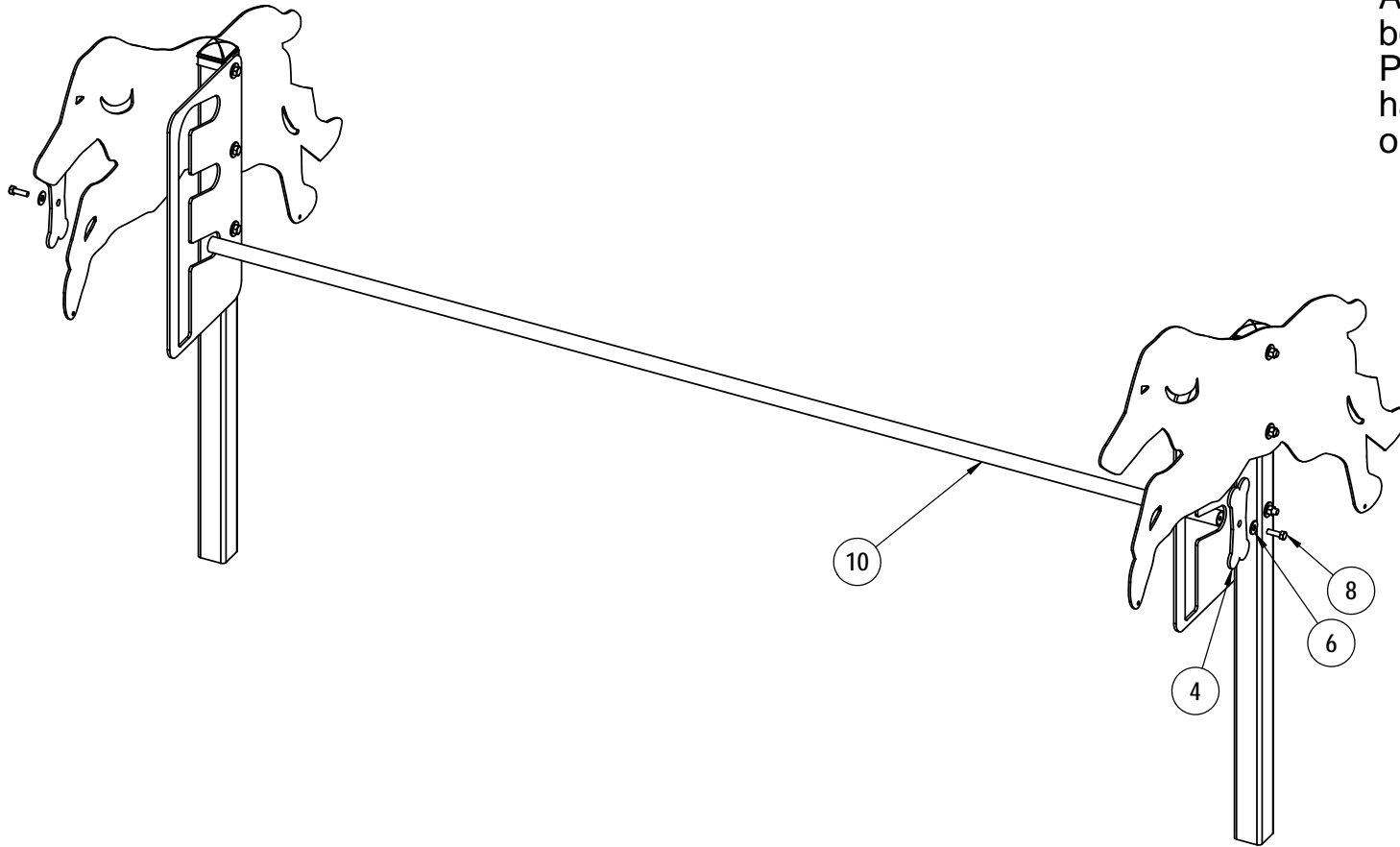
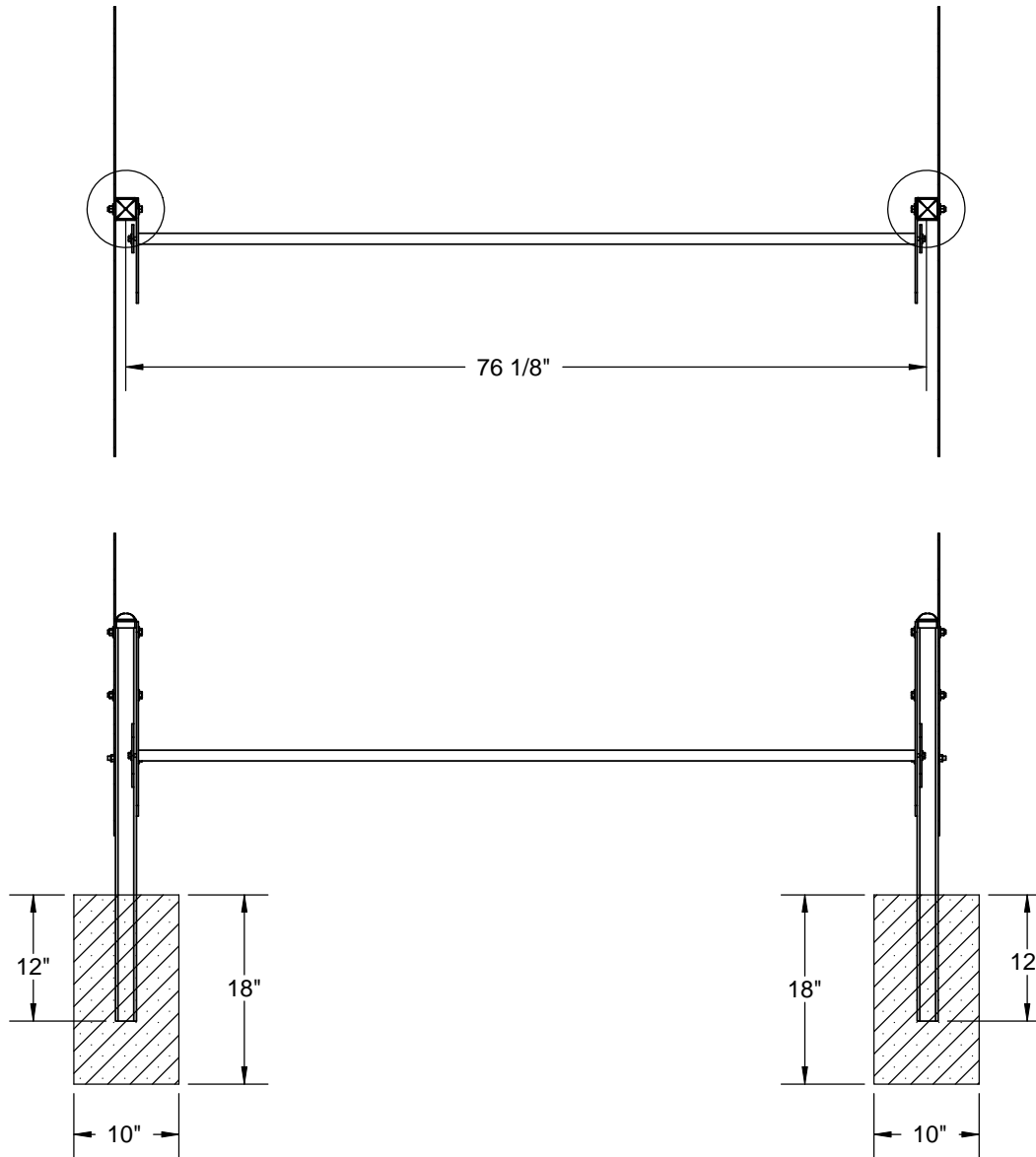


Attach Rover Jump
Over Panel and Rover
Jump Over Support
Panel to Rover
Support Post using
specified hardware.





Pull Jump Pipe through corresponding slots in the Rover Jump Over Support Panel, then attach Bone Attachment Plates to both ends of the Jump Pipe using specified hardware. Use Loctite on these bolts.



Estimated Required Concrete:
5 - 50 lb. bags of concrete mix

OVERALL DIMENTIONS

