



# CAN • POST • SIGN

REPLACEMENT COMPONENTS FOR DOG WASTE STATIONS

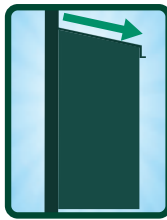


## WASTE CAN

Powder coated, durable finish.  
Oversized 11+ gallon capacity.  
Self-closing, water tight lid.  
Keeps insects and pests out.  
Keeps odor in.  
Built-in clamps hold liners in place.

### PRODUCT DETAILS: item# D004

- Can Size: 14"W x 10"D x 22"H
- 11 Gallon Capacity
- Color: Forest Green
- Commercial Grade Aluminum



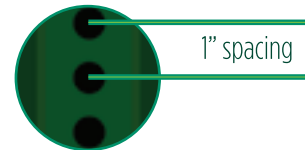
3.25"

## POST

Forest Green Solid Steel.  
Two-piece, assembled length 84".  
Tapered end for easy installation.  
1" standard hole spacing.

### PRODUCT DETAILS: item# D005

- Size: 3.25"W x 84"L
- Weight: 15 lbs
- Color: Forest Green
- Solid Steel



1" spacing

84"



## SIGN

Powder Coated, durable finish.

### PRODUCT DETAILS: item# D008

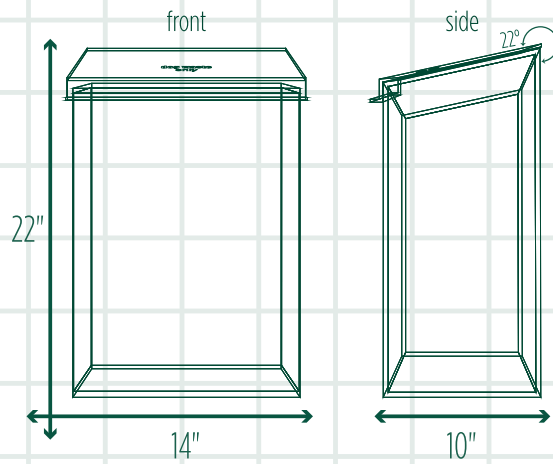
- Size: 10"W x 12"L
- White/Forest Green
- Commercial Grade Aluminum



\*Can & Sign (Post made from solid steel)

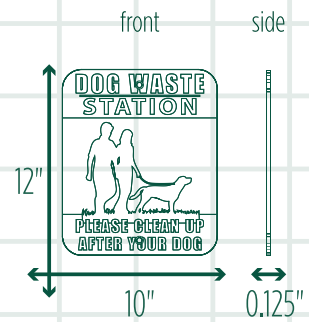
## PRODUCT DIMENSIONS

### WASTE CAN



DIMENSIONS: 14"W X 22"L X 10"D  
WEIGHT: 10 LBS • ANGLED TOP: 22°

### SIGN



DIMENSIONS: 10"W X 12"L  
WEIGHT: 1 LB